

Stock Clamshells with a Common Mold Base

These images demonstrate clamshells with the same Overall Outside Dimensions, but with variations in the associated cavity and insert card dimensions.

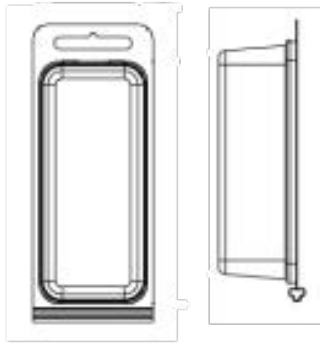
Series 120

Overall Length = 4.806"

Overall Width = 1.938"

The stock clamshells on this page are made from Mold Base #120

Drawings for concept only. For actual size, see full technical drawings under part details on the VisiPak Ecommerce website.



120TF